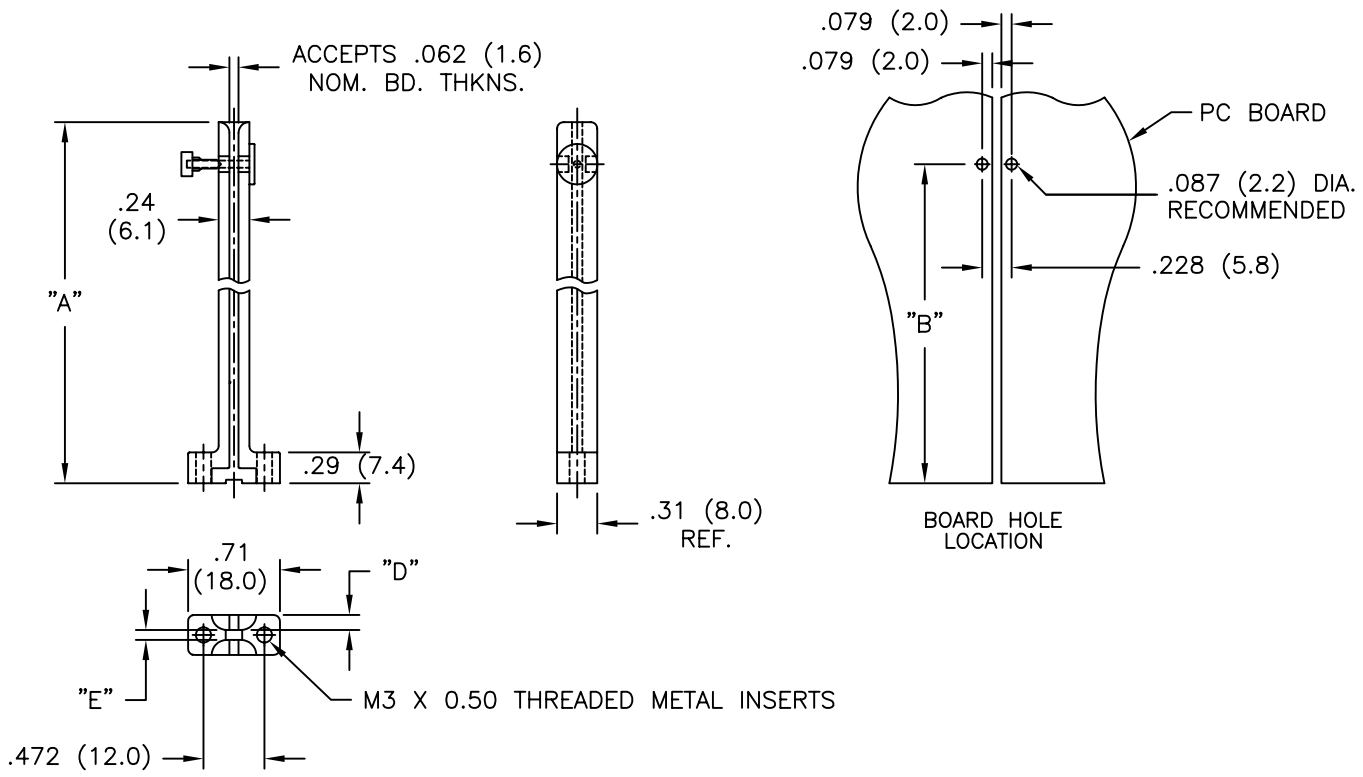


PART NO.	"A"	"B"	"D"	"E"
VMCG-50-PM	1.83 (46.5)	1.67 (42.3)	.104 (2.6)	.105 (2.7)
VMCG-65-PM	2.56 (65.0)	2.22 (56.5)	.118 (3.0)	.079 (2.0)
VMCG-90-PM	3.54 (90.0)	3.21 (81.5)		
VMCG-135-PM	5.31 (135.0)	4.98 (126.5)		
VMCG-160-PM	6.30 (160.0)	4.43 (112.5)		
VMCG-330-PM	4.73 (120.1)	4.43 (112.5)		



NOTES:

1. MATERIAL: NYLON 6, GLASS FILLED, (RMS-38)
2. COLOR: GRAY.

TITLE: VERTICAL MOUNT CARD GUIDE, TYPE 1			DWG IN IN (MM) FINAL			
TOLERANCES UNLESS NOTED .XX=±.010 .XXX=±.005 FRAC=±1/64 ANG=±1°		FILE # VMCG-1	DWN: P.B.	APP:	PART #	
MAT'L: SEE NOTES		RE: RICHCO, INC.	DT: 03-23-94	DT:	SEE TABLE	
H SEE ECN #1146 FOR CHANGES SJ 3.28.06		RICHCO INC. PO BOX 804238, CHICAGO, 60680 (773) 539-4060		PRINT TYPE CA		
X SEE ENGINEERING FOR REV. A~G						
REV DESCRIPTION ENGR DATE						