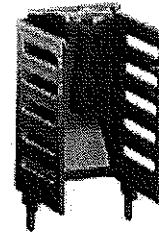




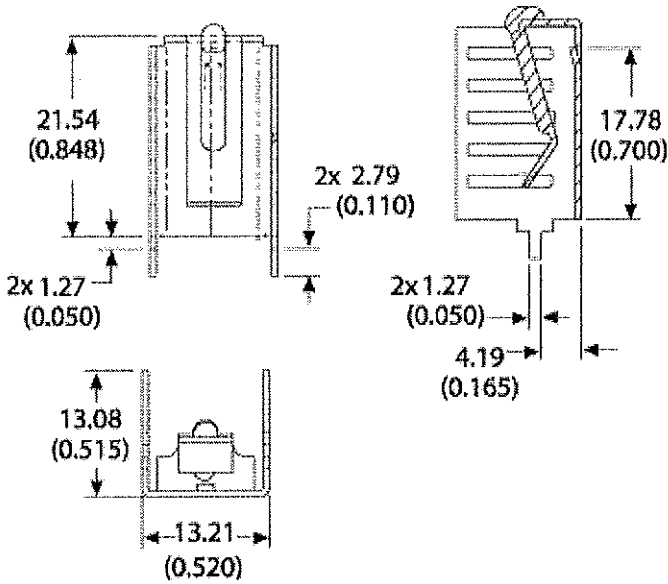
For use with TO-220 packages

Part Number - 7136DG

RoHS Compliant



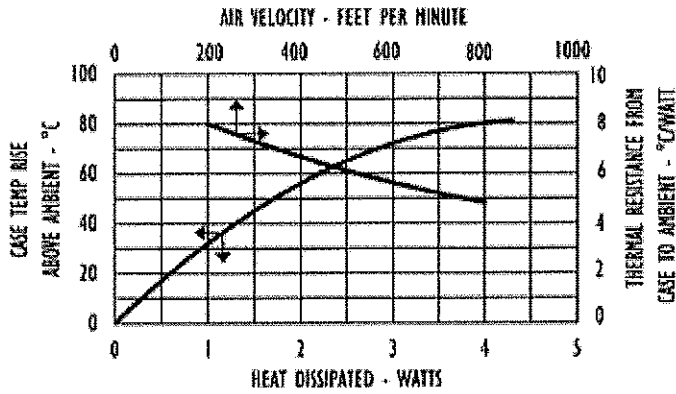
Mechanical Outline Drawing



Thermal Resistance	19.70
---------------------------	-------

Thermal Curves

Thermal resistance value is based on a 75°C rise in natural convection



Product Information

Part #	Description	Finish	Board Mounting
7136DG	Channel style heat sink featuring integrated mounting clip	Matte Tin Finish	View Hole Dimensions

This non-electronic component is functionally unaffected by the normal soldering or reflow processes used for semiconductor circuits. The heat resistance time or heat resistance temperature is not applicable for the component.

Not Exactly what you need?

We offer several options for those applications which require a more unique solution. For slight modifications of this part or other attachment options, finishes, and interface materials, contact your local representative. Challenge us with your thermal requirements - we can design custom solutions.

**For technical help with our Standard Products, please call (603) 224-9988, or contact your Aavid Sales Rep
Email: info@aavid.com**

Visit us at www.aavidthermalloy.com • ©2007 Aavid Thermalloy, LLC