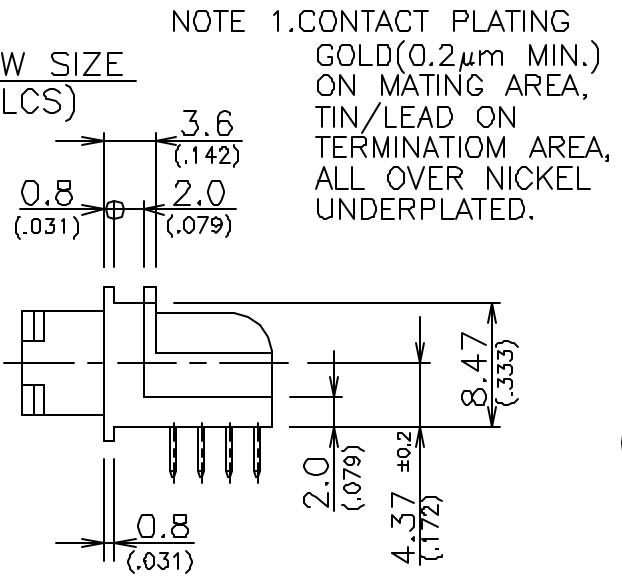
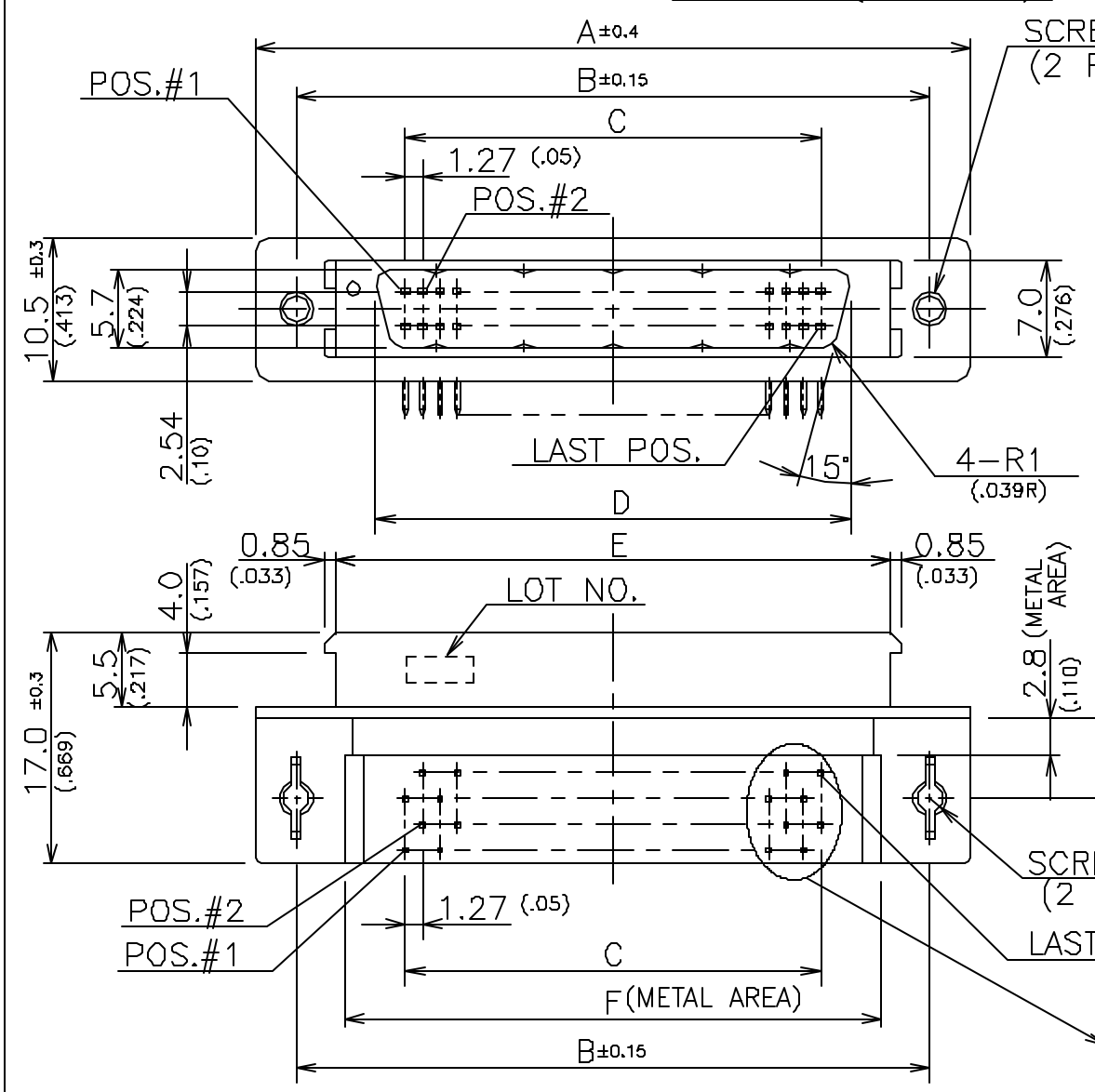
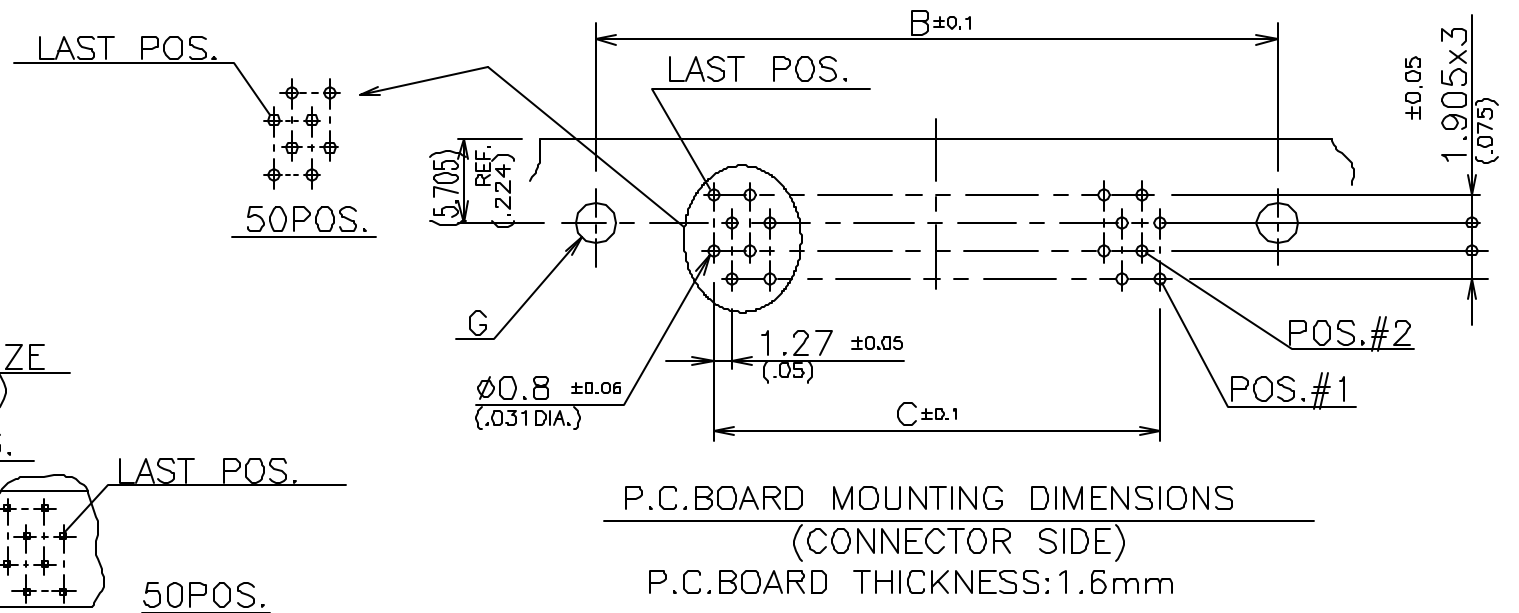
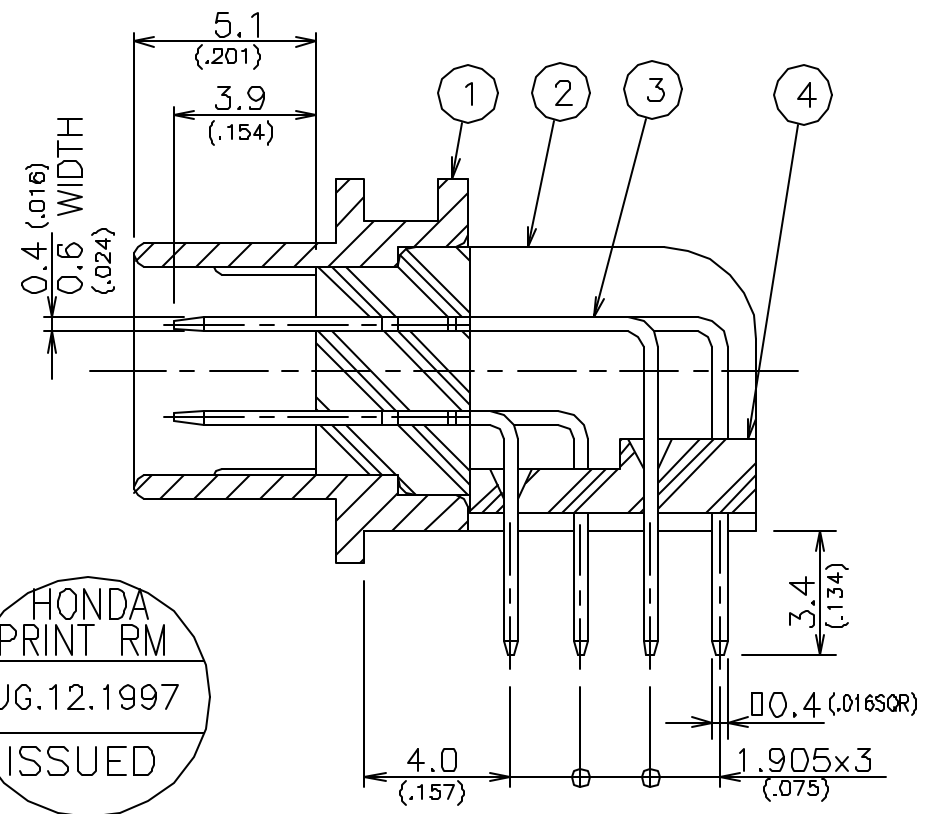


PART NO.	SCREW SIZE	DIMENSION
PCS-E( )LMD	M2.5x0.45	G ø2.8 (.110DIA.)
PCS-E( )LMDU	#4-40UNC	ø3.05 (.120DIA.)
PCS-E( )LMDU2	#2-56UNC	ø2.5 (.098DIA.)



NOTE 1. CONTACT PLATING  
GOLD(0.2μm MIN.)  
ON MATING AREA,  
TIN/LEAD ON  
TERMINATION AREA,  
ALL OVER NICKEL  
UNDERPLATED.

HONDA  
PRINT RM  
AUG.12.1997  
ISSUED



P.C. BOARD MOUNTING DIMENSIONS  
(CONNECTOR SIDE)  
P.C. BOARD THICKNESS: 1.6mm

PART NO.	NO. OF POS.	A	B	C	D	E	F
PCS-E96LMD( )	96	81.7 (3.217)	75.69 (2.980)	1.27x(48-1)=59.69 (.05) (2.350)	64.06 (2.522)	69.9 (2.752)	68.49 (2.696)
PCS-E80LMD( )	80	71.5 (2.815)	65.5 (2.579)	1.27x(40-1)=49.53 (.05) (1.950)	53.90 (2.122)	59.7 (2.350)	58.33 (2.296)
PCS-E68LMD( )	68	63.9 (2.516)	57.9 (2.280)	1.27x(34-1)=41.91 (.05) (1.650)	46.28 (1.822)	52.1 (2.051)	50.71 (1.996)
PCS-E50LMD( )	50	52.5 (2.067)	46.5 (1.831)	1.27x(25-1)=30.48 (.05) (1.200)	34.85 (1.372)	40.7 (1.602)	39.28 (1.546)
PCS-E36LMD( )	36	43.6 (1.717)	37.6 (1.480)	1.27x(18-1)=21.59 (.05) (.850)	25.96 (1.022)	31.8 (1.252)	30.39 (1.196)
PCS-E28LMD( )	28	38.5 (1.516)	32.5 (1.280)	1.27x(14-1)=16.51 (.05) (.650)	20.88 (.822)	26.7 (1.051)	25.31 (.996)
PCS-E20LMD( )	20	33.4 (1.315)	27.4 (1.079)	1.27x(10-1)=11.43 (.05) (.450)	15.80 (.622)	21.6 (.850)	20.23 (.796)
PART NO.	NO. OF POS.	A	B	C	D	E	F

LTR.	DATE	BY	REV.	DESCRPT	NO.	PART NAME	MATERIAL	QTY	FINISH	NOTE
					4	BRACKET	PBT RESIN(GF)	1		UL94V-0 BLACK COLOR
					3	PIN CONTACT	PHOSPHOR BRONZE	NO. OF POS.	NOTE#1	
					2	INSULATOR	PBT RESIN(GF)	1		UL94V-0 BLACK COLOR
	11 DEC 1995	A.M	NEW REV.		1	SHELL	ZINC ALLOY	1	NICKEL PLATING	

DATE	SCALE	UNIT	HONDA TSUSHIN KOGYO, LTD.	
OCT.16 (1985)	2 / 1	mm(INCH)	3RD . A . P	
DR.	DE.	CHK.	CHK.	APP.
NAME		PCS-E TYPE MALE CONNECTOR		
PART NO.		PCS-E( )LMD( )		
				REV. 1A